

STEINER

ST280HA

Tyre Changer



TYRE CHANGER FOR CAR DEALERSHIPS, WORKSHOPS AND GARAGES

Ideal for:

The Steiner ST280HA is the perfect option for Car Dealerships, Workshops and Garages that have a tyre changing facility or want to get into changing tyres.

Features:

- › Single phase, variable speed between 6 and 13 rpm.
- › Direct drive turntable for instant power and torque.
- › Available with or without a helper arm and a clamping range of 11" to 26", it is an extremely versatile machine.
- › Equipped with 200mm cylinder along with variable torque adjustment bead breaker arm which can provide more bead breaker force, suitable for RSC tyres and run-flat tyres.
- › Rim clamping from outside: 11"-24".
- › Rim clamping from inside: 13"-26".
- › Comes with tyre lever, pressure gauge, plastic covers, and paste bucket.

OUR PROMISE:
100
ONE HUNDRED DAYS
100% SATISFACTION

If you are not 100% satisfied with your equipment, Treadway Equipped will repair, replace or refund the equipment free of charge within the first 100 days.

ST280HA

Tyre Changer



<p>Rim clamping from outside</p> <p>11 - 24"</p>	<p>Rim clamping from inside</p> <p>13 - 26"</p>
<p>Wheel width</p> <p>3 - 15"</p>	<p>Max. wheel diameter</p> <p>1100 mm</p>



Features:

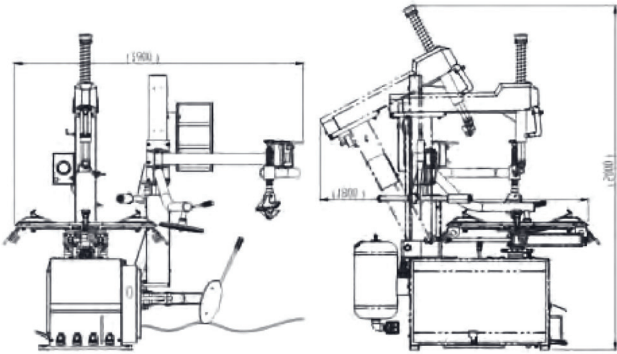
- › Single phase, variable speed between 6 and 13 rpm.
- › Direct drive turntable for instant power and torque.
- › Available with or without a helper arm and a clamping range of 11" to 26", it is an extremely versatile machine.
- › Equipped with 200mm cylinder along with variable torque adjustment bead breaker arm which can provide more bead breaker force, suitable for RSC tyres and run-flat tyres.
- › Rim clamping from outside: 11"-24".
- › Rim clamping from inside: 13"-26".
- › Comes with tyre lever, pressure gauge, plastic covers, and paste bucket.

Optional extras

- › Helper Arm
- › Plastic Mounting Head
- › Clamp adaptors for 8" wheels

SPECIFICATIONS

Power Supply	240V 50hz
Rim clamping from outside	11"-24"
Rim clamping from inside	13"-26"
Maximum wheel diameter	1100mm
Wheel width	3"-15"
Operating pressure	8-10 bar
Motor Power	0.75Kw
Noise Level	<75dB
Single phase, variable speed	6-13 rpm
Dimensions	1400mm W x 1800mm L x 2180mm H
Weight	310kg





OUR PROMISE:

100

ONE HUNDRED DAYS
100% SATISFACTION

If you are not 100% satisfied with your equipment, Treadway Equipped will repair, replace or refund the equipment free of charge within the first 100 days.

0800 436 436
treadwayequipped.co.nz